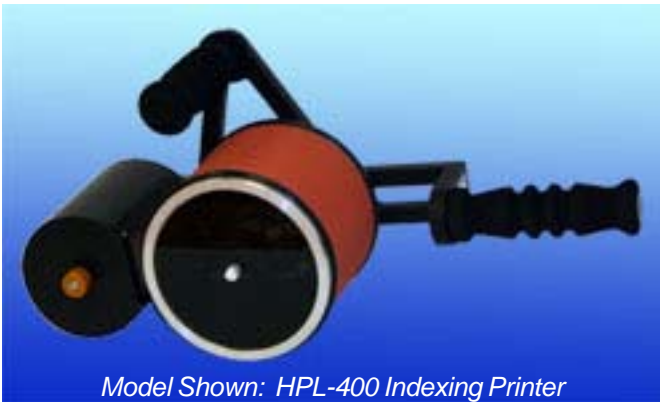


AMERICAN MARKING, INC.

Technical Bulletin

Large Capacity Hand Printers



Model Shown: HPL-400 Indexing Printer

These units are designed for use with #1150 coder ink for marking on cardboard and other porous materials. A variety of other inks are available for special applications including printing on non-porous surfaces.

Non-indexing Hand Printers continuously print at repeat intervals equal to the drum circumference. The print drum on the indexing printer returns to the same start position after each rotation, allowing for accurate print registration.

SPECIFICATIONS

HPL-100 Large Indexing Model

Print Width: 1.125" (28.58 MM)
Maximum Die Length: 16-15/16" (430 MM)
Print Drum Circumference: 18" (457 MM)
Net Weight - 6.1 LBS. (2.8 KG)

HPL-200 Large Indexing Model

Print Width: 2" (50.8 MM)
Maximum Die Length: 16-15/16" (430 MM)
Print Drum Circumference = 18" (457 MM)
Net Weight - 6.9 LBS. (3.1 KG)

HPL-300 Large Indexing Model

Print Width: 3" (76.2 MM)
Maximum Die Length: 16-15/16" (430 MM)
Print Drum Circumference: 18" (457 MM)
Net Weight - 8 LBS. (3.6 KG)

HPL-400 Large Indexing Model

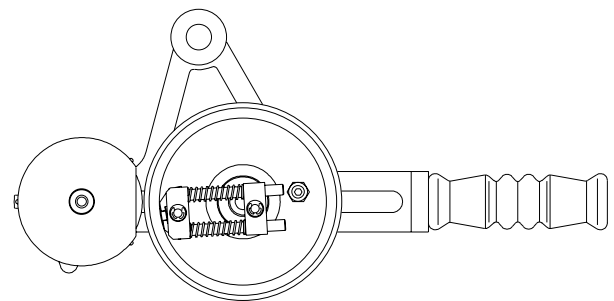
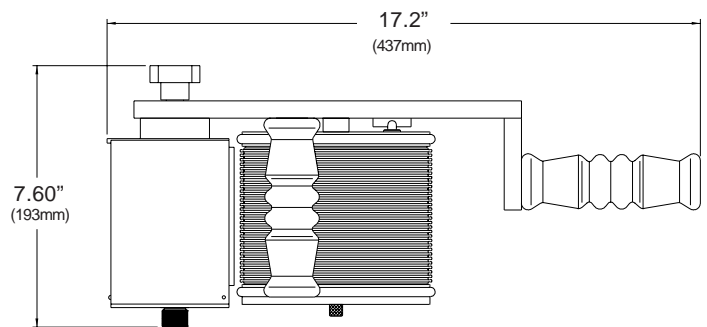
Print Width: 4" (101.6 MM)
Maximum Die Length: 16-15/16" (430 MM)
Print Drum Circumference: 18" (457 MM)
Net Weight - 9.1 LB. (4.1 KG)

Universal's HPL Hand Printers provide the large print area capacities of our standard Conveyor Line Printers for off-line printing applications. These hand held coders are ideal for use in the shipping room or the warehouse where automatic coding is not possible.

Heavy duty construction includes an anodized aircraft aluminum frame, stainless steel axles, sealed ball bearings and an ink roll contact adjustment feature. These coders are available in 4 standard print widths all with 18" circumference print drums. Included with each coder is a re-inkable dry XF Neoprene Ink Roll and RIBtype® die fastening system.

FEATURES

- Available in Indexing and Non-Indexing Models.
- Lightweight anodized aircraft aluminum frame.
- Sealed ball bearings for smooth print drum rotation.
- Two ergonomic foam grip handles for operator comfort.
- Adjustable ink roll to die face contact.
- RIBtype® die system accommodates logo dies and individual characters.
- Re-inkable XF Neoprene Ink Roll - compatible with both porous and non-porous inks.



Note: Dust cover removed to expose index mechanism.

BIRMINGHAM

CORPORATE OFFICE:

VOICE: 800.964.6275

FAX: 205.733.1720

americanmarking@aol.com

AMERICAN MARKING, INC.

2435 VALE DRIVE

BIRMINGHAM, AL 35244

www.americanmarking.com

CHATTANOOGA

REGIONAL SALES OFFICE:

VOICE: 800.685-6275

FAX: 423-843-0535

gary@americanmarking.com